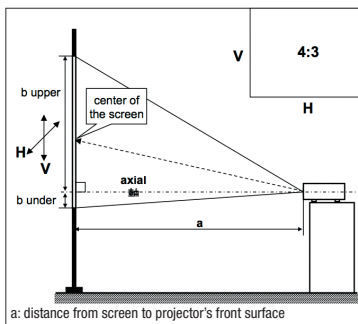
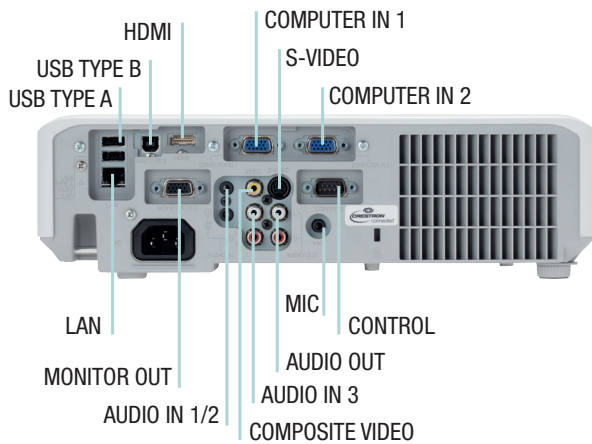


# CP-X4030WN

**HITACHI**  
Inspire the Next

## Technical Specifications



### THROW DISTANCE

Screen size	HxV	Wide a	Tele a	b under	b upper
[inch]	[m]	[m]	[m]	[m]	[cm]
30	0.6 0.5	0.9	1.0	7	39
40	0.8 0.6	1.2	1.4	9	52
50	1.0 0.8	1.5	1.8	11	65
60	1.2 0.9	1.8	2.1	13	78
70	1.4 1.1	2.1	2.5	15	91
80	1.6 1.2	2.4	2.9	17	105
90	1.8 1.4	2.7	3.2	20	118
100	2.0 1.5	3.0	3.6	22	131
120	2.4 1.8	3.6	4.3	26	157
150	3.0 2.3	4.5	5.4	33	196
200	4.1 3.0	6.0	7.3	44	261
250	5.1 3.8	7.5	9.1	54	327
300	6.1 4.6	9.1	10.9	65	392

LCD Panel	0.63" micro lens array
Resolution	1024x768 (XGA)
Brightness	4200lm
Contrast Ratio	5000:1
Lens	Manual Focus
Lamp Wattage	225W
Lamp Life	5000hr (Normal Mode) / 6000hr Target 10000hr (Eco Mode)
Focus Distance	0.9 ~ 9.1 m (WIDE), 1.0~10.9 m (TELE)
Distance To Width Ratio	1.5 (WIDE), 1.8 (TELE)
Diagonal Display Size	30" - 300"
Digital Keystone Correction	Vertical ±30 degrees
Number Of Colours	8 Bit/colour, 16.7M colours
Computer Compatibility	IBM Compatible VGA, SVGA, XGA, WXGA/WXGA+/SXGA/SXGA+/UXGA (compressed) MAC16"
Composite/S-Video	NTSC, NTSC 4.43, PAL, PAL-M, PAL-N, PAL (60Hz), SECAM
Component Video/HDMI Video	480i@60, 480p@60, 576i@50, 576p@50, 720p@50/60, 1080i@50/60, 1080p@50/60
Plug & Play	DDC2B (excluding COMPUTER IN 2)
Speakers	16W
Picture Adjustments	Aspect selection (video, data, HDMI), Equalising digital gamma correction, Equalising colour temperature adjustment, 2-3 pull down for NTSC, Mirror reverse image, Up-side down image, Progressive scan, Noise reduction, Overscan
Advanced Features	MyScreen, My Memory, My Button (by remote control), My Text, My Source, Picture modes (normal, cinema, dynamic, blackboard, whiteboard, greenboard, daytime, photo), Source naming (English), Resolution setting, Filter timer, Stand-by Audio, Template, Closed Caption (for NTSC & component 480i only), Framelock, Eco Mode (normal, eco, intelligent eco, saver), ImageCare™
Outward	Easy lamp replace from top, Easy access air filter
Power On & Off	Direct on, Auto off
Security Systems	Transition Detector (Theft protection), Password/My screen Password, pin lock, key lock, security bar and security slot (for Kensington lock)
OSD Languages	W/W Model 33-language OSD
Digital Input	HDMI x 1
Computer Input	15-pin Mini-D-sub x 2
Monitor Output	15-pin Mini-D-sub x 1
Video Input	RCA jack x 1 for composite, Mini Din 4-pin x 1 for S-Video
Audio Input	RCA jack L/R x 1, Stereo Mini Jack x2, Microphone Jack x1
Audio Output	RCA jack L/R x1
USB	USB type A x 2 (Used for PC less Presentation / Wireless network / Pen tablet TB-1), USB type B x 1 (USB display / USB mouse control)
Network System	Wired LAN (RJ45)
Optional Wireless Lan	(USB WLAN Dongle, USB A)
Control	D-sub 9-pin jack x 1 (RS232C)
Power Supply	AC 100V-120V/ 3.4A, AC220-240V/1.7A
Power Consumption/Standby	330W/0.5W
Dimensions (W X H X D)	320mmx85mmx245mm, 12.6"x3.3"x9.6"(Excluding feet and extrusions)
Weight	3.0kg
Noise Level	29dB (Eco) / 37dB (Normal)
Operating Temperature	5-35°C
Air Filter	Nonwoven fabric, Replacement cycle: 5000hr (varies according to usage environment)
Certification	UL60950-1/cUL, FCC Part 15 subpart B class B, CE Marking: EN61000-3-2, EN61000-3-3, EN55022 (class B), EN55024 (EMC directive), EN60950-1 (Low voltage directive), WEEE, RoHS, ErP (lot6) compliant, GS mark, c-tick class B (standard for Australia/New Zealand.)
Accessories Supplied	Power cord Computer Cable Remote Control Unit with batteries User's Manual CD (Operating Guide, Safety Instructions), User's Manual (Concise), Lens cover, Adapter cover, Application CD, Security label
Optional Accessories	Remote Controller HLO3031 Lamp P# DT01481 Filter P# (Filter Type) UX38841 (Nonwoven fabric) Wireless Adaptor USB-WL-11N, USB-WL11N Long Ceiling Mount HAS-304H Short Ceiling Mount HAS-204L Ceiling Mount Bracket HAS-EX300
Warranty	Projector/Lamp 3 Years/6 Months** (For education and extended warranties please contact your local dealer)

HITACHI DIGITAL MEDIA, Hitachi Europe Ltd, Whitebrook Park, Lower Cookham Road, Maidenhead, Berkshire, SL6 8YA, UNITED KINGDOM

Tel: +44 (0)1628 585 000 Fax: +44 (0)1628 585 163 www.hitachidigitalmedia.com

\*The stated lamp and filter life refers to the average life expected in ideal operating conditions with usage in accordance with the manual. The majority of, but not all lamps and filters should achieve this figure. \*\*Where a lamp fails within warranty and a replacement lamp is taken, the warranty for the replacement lamp will be a maximum of 6 months (dependent on warranty hours stated). The specification above and photography is for reference only and may be subject to change.